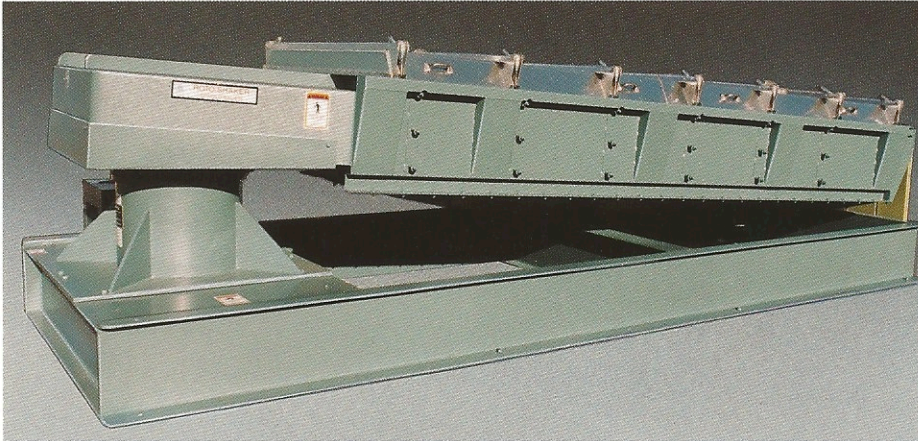
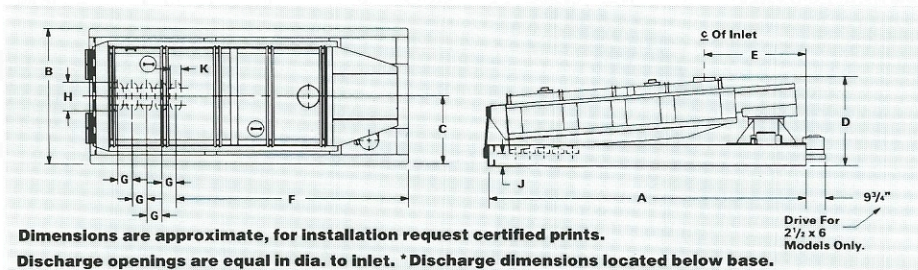


Andritz Sprout-Bauer Industrial Model Roto-Shaker Screener

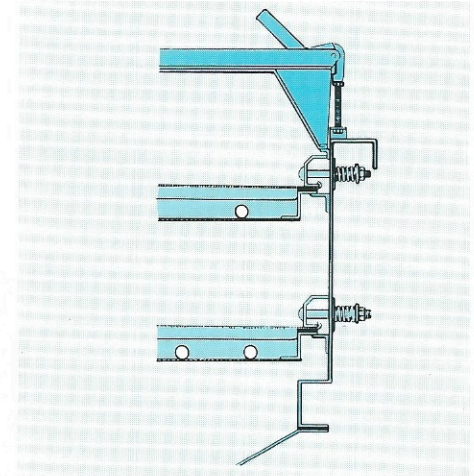


The industrial model Roto-Shaker is equipped with heavy-duty, segmented screen frames of carbon steel or stainless steel construction. The unit is designed with a spring-tensioned, hook-strip screen attachment, which provides a taut surface for increased screen life and greater efficiency, and allows screens to be retightened after use.

Industrial Model Roto-Shaker Screener



Dimensions are approximate, for installation request certified prints.
Discharge openings are equal in dia. to inlet. * Discharge dimensions located below base.



**Industrial Model
Screen Attachment**

**Dimensions, Industrial and
General Models**

MODEL SIZE	HP.	NUMBER OF SCREENS	INLET DIA.	A	B	C	D	E	F	G	H	J	K	DISCH. EQUAL TO CIRCUM. CIRCLE	APPROX. SHIPPING WEIGHT LB.
2 x 4	1	1	6"	7'9"	36 1/2"	18 1/4"	36"	41"	6'3 3/4"	8"	6" Dia.	10 5/8"	—	6"	1,200
	1	2	6"	8'3"	36 1/2"	18 1/4"	36"	41"	6'1 3/4"	8"	6" Dia.	7 3/8"	—	6"	2,000
	1	3	6"	8'8 3/4"	36 1/2"	18 1/4"	37 3/4"	42"	6'0 1/8"	8"	6" Dia.	3 5/8"	—	6"	2,300
2 1/2 x 6	1	1	8"	9'10 1/2"	44"	22"	38 1/4"	42 1/8"	8'2 1/2"	10"	8" Dia.	9 5/8"	—	8"	2,000
	1	2	8"	10'6 1/2"	44"	22"	38 1/4"	42 1/8"	8'0 1/2"	10"	8" Dia.	6 3/8"	—	8"	2,600
	1	3	8"	11'9"	44"	22"	41 1/4"	42 1/8"	8'4 1/8"	10"	8" Dia.	2 3/8"	—	8"	3,000
	1 1/2	4	8"	13'4"	60"	30"	49"	49 5/8"	8'11 3/8"	10"	8" Dia.	2 1/8"	—	8"	3,500
3 1/2 x 7	1 1/2	1	8"	11'7 1/2"	60"	30"	40 1/4"	49 1/2"	10'0 1/8"	10"	8" Dia.	9 7/8"	—	8"	3,000
	1 1/2	2	8"	12'6"	60"	30"	40 1/4"	49 1/2"	10'0"	10"	8" Dia.	7 1/2"	—	8"	3,600
	1 1/2	3	8"	13'6"	60"	30"	43 3/4"	49 3/4"	9'11 3/4"	10"	8" Dia.	2 1/2"	—	8"	4,100
	3	4	8"	14'8 1/4"	65"	32 1/2"	48 5/8"	54 7/8"	10'4 3/8"	10"	8" Dia.	1 1/8"	—	8"	4,500
4 1/2 x 8	3	1	12"	13'0"	65"	32 1/2"	45 7/8"	56 5/8"	11'6 1/4"	8"	15 1/4"	14 5/8"	6 1/2"	12"	4,400
	3	2	12"	13'7 3/4"	65"	32 1/2"	45 7/8"	56 7/8"	11'6"	8"	15 1/4"	12"	6 1/2"	12"	4,900
	3	3	12"	14'3 1/8"	65"	32 1/2"	48 5/8"	56 7/8"	11'5 3/4"	8"	15 1/4"	7"	6 1/2"	12"	5,100
	5	4	12"	15'5 1/2"	6'0 3/4"	36 3/8"	55 7/8"	59 3/8"	11'6"	8"	15 1/4"	7 1/2"	6 1/2"	12"	5,500
5 x 10	5	1	12"	15'2"	6'0 3/4"	36 3/8"	53"	59 1/4"	13'8 1/2"	8"	15 1/4"	18"	6 1/2"	12"	6,800
	5	2	12"	15'10"	6'0 3/4"	36 3/8"	53"	59 1/4"	13'8 1/2"	8"	15 1/4"	16 1/4"	6 1/2"	12"	7,000
	5	3	12"	16'8"	6'0 3/4"	36 3/8"	55 3/4"	59 1/2"	13'8 3/4"	8"	15 1/4"	12"	6 1/2"	12"	7,400
	7 1/2	4	12"	18'0"	7'1"	42 1/2"	57 5/8"	65 7/8"	14'2 1/8"	8"	15 1/4"	6 7/8"	6 1/2"	12"	8,000
5 x 12	5	1	12"	17'2"	6'0 3/4"	36 3/8"	53"	59 1/4"	15'8 1/2"	8"	15 1/4"	16 3/4"	6 1/2"	12"	7,000
	5	2	12"	17'10"	6'0 3/4"	36 3/8"	53"	59 1/4"	15'8 1/2"	8"	15 1/4"	14 1/2"	6 1/2"	12"	7,200
	5	3	12"	18'6"	6'0 3/4"	36 3/8"	55 7/8"	59 1/2"	15'8 1/8"	8"	15 1/4"	10 1/2"	6 1/2"	12"	7,600
	7 1/2	4	12"	19'10"	7'1"	42 1/2"	59"	64"	16'0"	8"	15 1/4"	4 7/8"	6 1/2"	12"	8,200
6 x 14	7 1/2	1	16"	19'8 1/2"	7'1"	42 1/2"	54 3/4"	66"	17'11 7/8"	10"	20 1/2"	15 3/4"	8 1/2"	16"	8,200
	7 1/2	2	16"	20'8 1/4"	7'1"	42 1/2"	54 3/4"	66"	17'11 7/8"	10"	20 1/2"	12 7/8"	8 1/2"	16"	8,500
	10	3	16"	21'6 3/4"	7'1"	42 1/2"	57 3/8"	66"	17'11"	10"	20 1/2"	9"	8 1/2"	16"	10,000
8 x 16	10	1	16"	22'2"	9'0"	54"	60"	70 3/8"	20'3 3/4"	10"	20 1/2"	26 1/4"	8 1/2"	16"	12,000
	10	2	16"	23'0"	9'0"	54"	60"	70 3/8"	20'3 1/2"	10"	20 1/2"	22 1/4"	8 1/2"	16"	12,500
	10	3	16"	23'10"	9'0"	54"	60"	70 3/8"	20'2"	10"	20 1/2"	16 1/2"	8 1/2"	16"	13,000